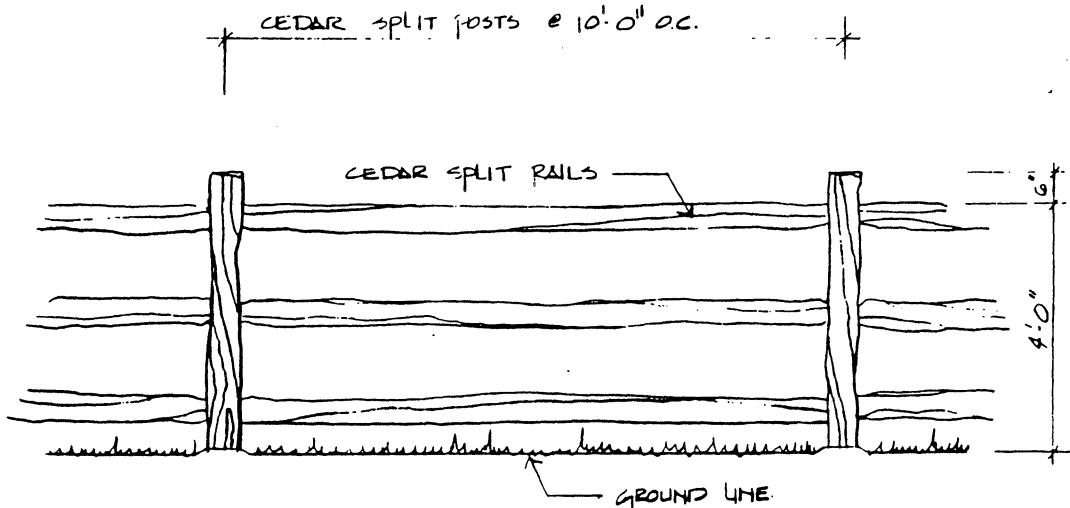


FRONT ELEVATION

NOTE: SEE FIGURE 3 FOR RECOMMENDED FOOTINGS AND OPTIONAL POULTRY NETTING WITH TENSION WIRE TOP AND BOTTOM. SEE FIGURE 7 FOR SIMILAR GATE CONSTRUCTION.

Figure 1:
2 RAIL - SPLIT CEDAR



FRONT ELEVATION

NOTE: SEE FIGURE 3 FOR RECOMMENDED FOOTING AND OPTIONAL POULTRY NETTING WITH TENSION WIRE TOP AND BOTTOM. SEE FIGURE 7 FOR SIMILAR GATE CONSTRUCTION.

Figure 2:
3 RAIL - SPLIT CEDAR

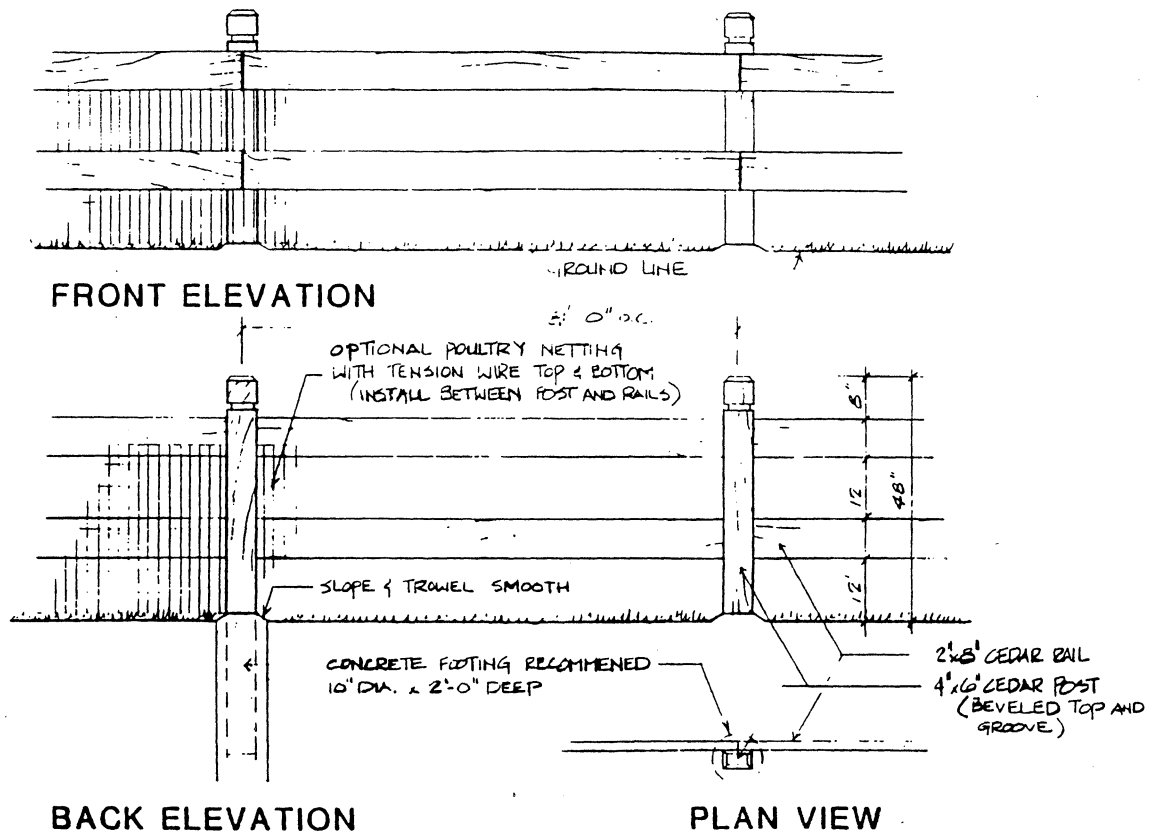


Figure 3:
OPEN FENCE, 2 RAIL

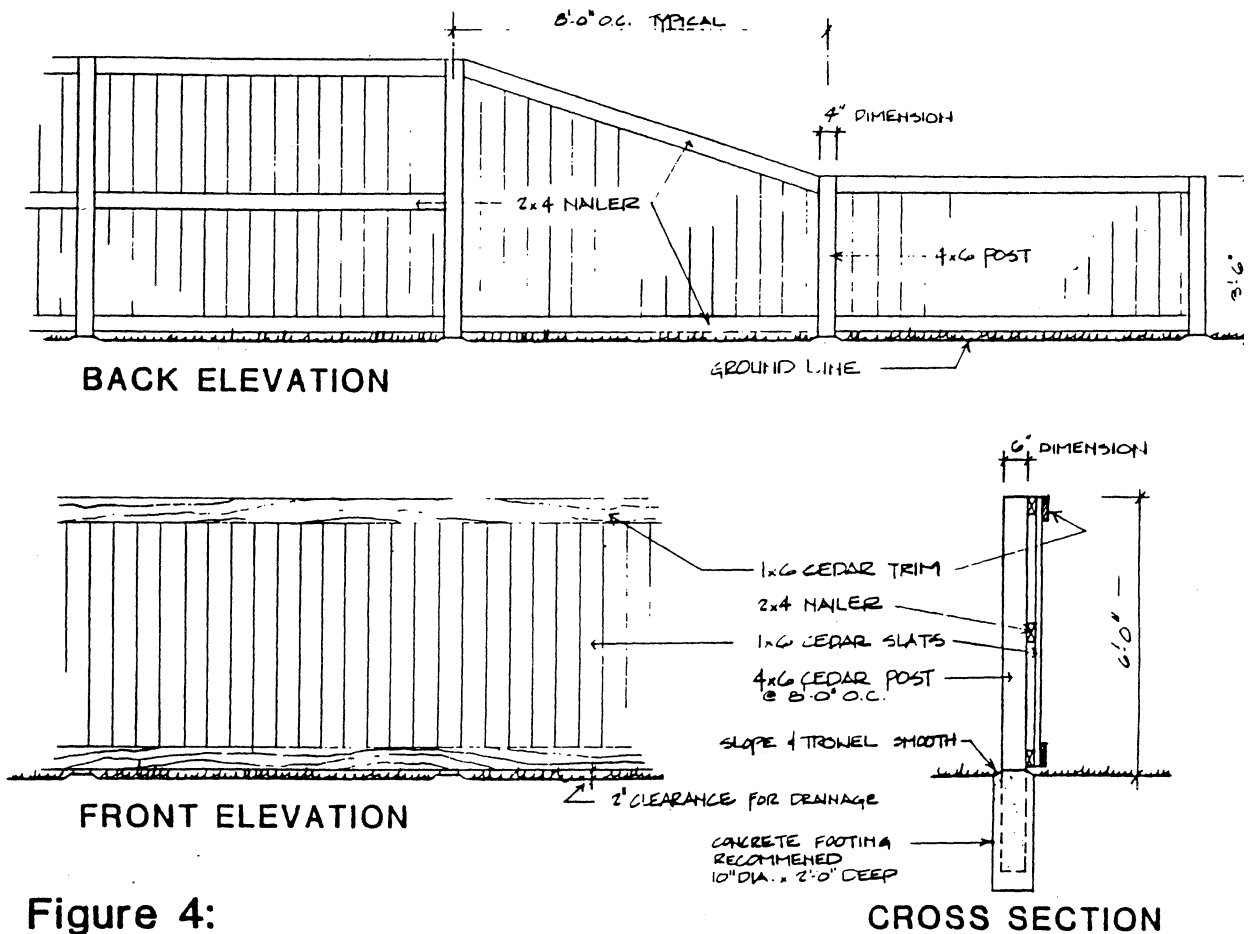
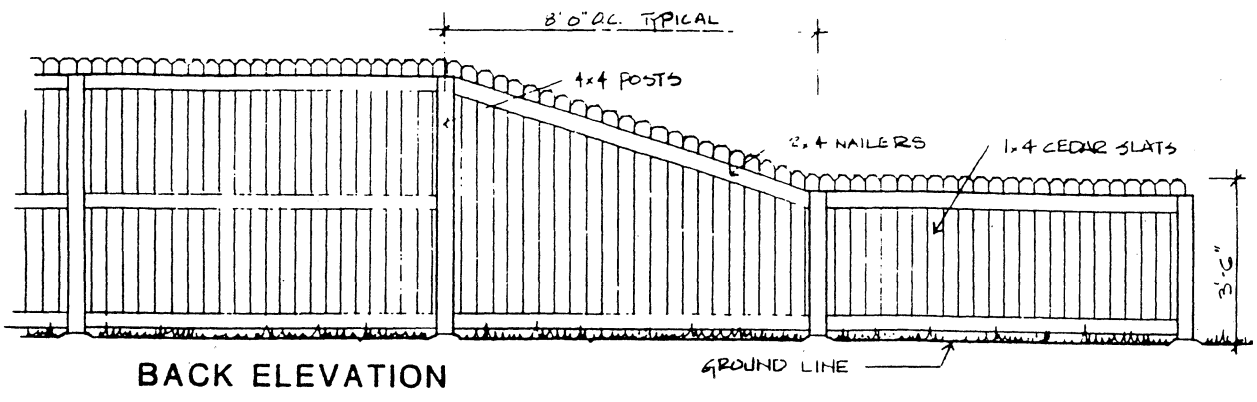
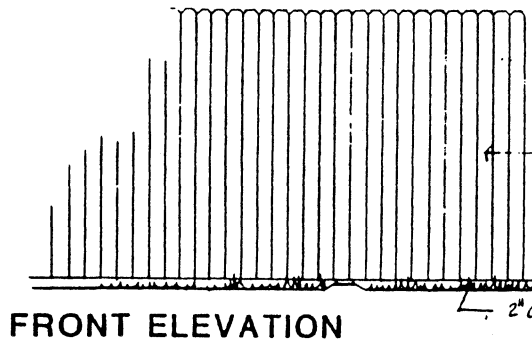


Figure 4:
SOLID FENCE

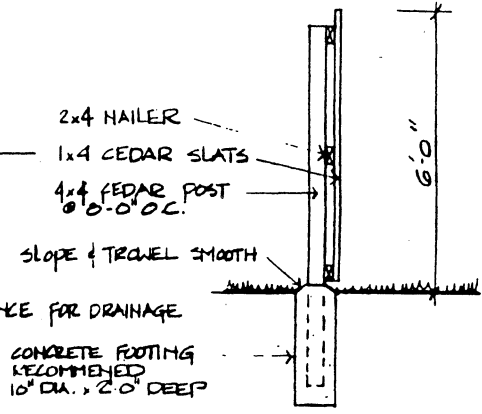


BACK ELEVATION

NOTE: SEE FIGURE 6 FOR SIMILAR GATE CONSTRUCTION.

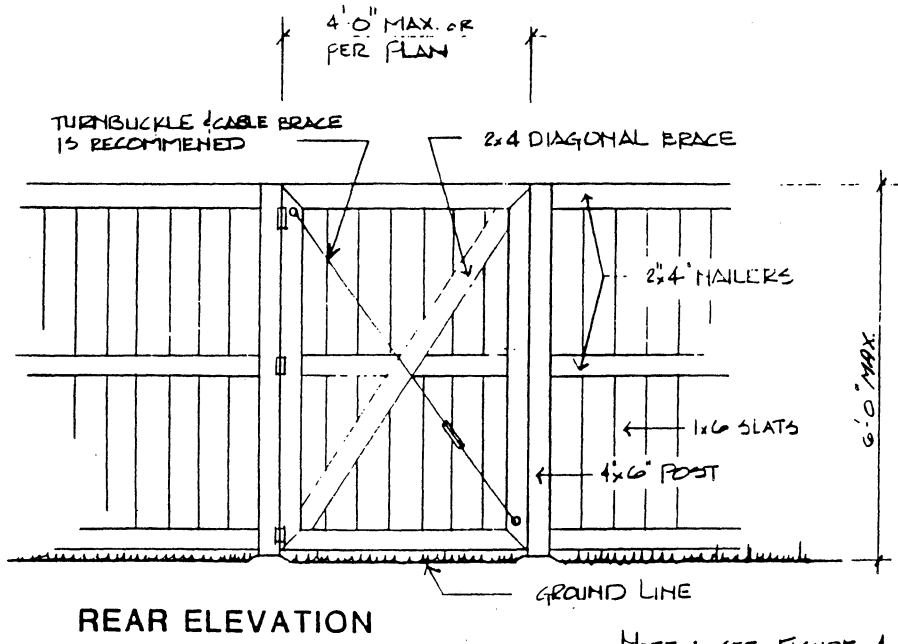


FRONT ELEVATION



CROSS SECTION

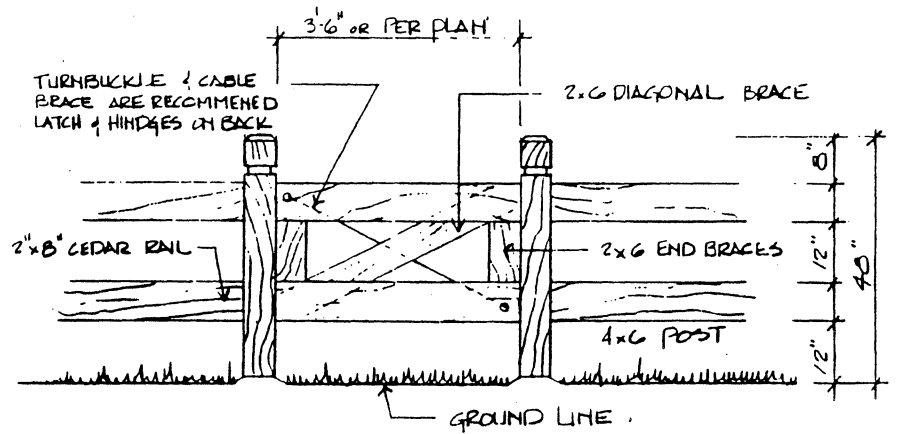
Figure 5:
DOG-EARED SOLID FENCE



REAR ELEVATION

NOTE: SEE FIGURE 4 FOR RECOMMENDED FOOTINGS

Figure 6:
SOLID GATE



GATE DETAIL

NOTE: SEE FIGURE 3 FOR RECOMMENDED FOOTINGS

**Figure 7:
OPEN GATE**